

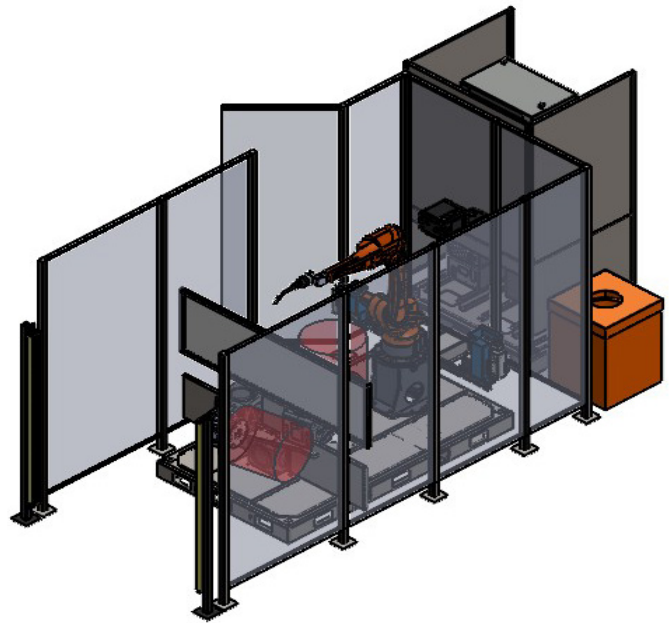
ExpertArc DA-250

Dual-Axis Positioning. Maximum Flexibility.

The ExpertArc DA-250 is a dual-axis welding cell built for small parts that require both rotation and tilt for proper weld access. With a 250 lb capacity per station, it gives fabricators greater flexibility without stepping into a larger, more complex system.

Compact and pre-configured, the DA-250 improves torch positioning, reduces manual part handling, and delivers consistent weld quality in high-mix environments. It's a practical way to gain more control over smaller weldments while keeping automation simple and manageable.

Welding automation is worth doing right.



SMART FEATURES. PROVEN BENEFITS.

> Compact footprint

Fits into tight shop floors and high-mix production cells.

> Simple to run

Your team doesn't need to be robot programmers. Operators can run it with minimal training.

> Fast to deploy

Pre-configured, pre-tested, and ready to weld. You're up and running in days, not months.

> Consistent, high-quality welds

Clean, repeatable results every time. No guesswork. No surprises.

> Less downtime

Easier part loading, simpler programming, and fewer headaches in production.

> Dual-axis part positioning

Tilt, rotation, and a hollow wrist robot improve weld access and reduce manual repositioning.

> German engineered. American built.

Precision and reliability, backed by decades of CLOOS welding expertise.

INDUSTRIES

General Industries & Job Shops

Construction & Heavy Equipment OEM's

Agricultural Equipment

Truck & Trailer Manufacturers

PRODUCT SPECIFICATIONS

SYSTEM INCLUDES

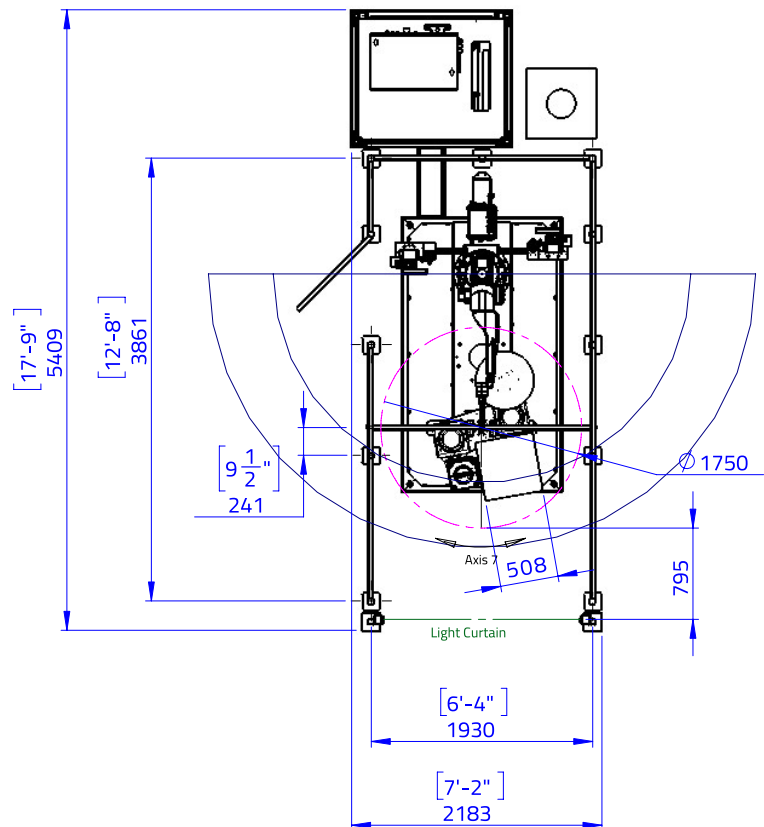
- > QRH-280 QIROX Hollow Wrist Robot
- > QRC 4.2 Robot Controller
- > StarT 406 Welding Power Source
- > Indexing Dual Station Positioner
- > Seam Tracking
- > Touch Sensing

OPTIONS AVAILABLE

- > Upgraded Power Source
- > Aluminum Package with Push/ Pull Torch
- > iCSE Offline Laser Sensor
- > Fume Extraction Options
- > RoboPlan Offline Programming Software
- > C-Gate Cloud Based DMS
- > CLOOS Cares Service Program
- > HMI Operator Panel
- > Part Tooling
- > Manax (Manual Jog)

MAXIMUM PART SIZE

Weight	250 lbs	113 kg
Length	20 in	505 mm
Diameter	20 in	505 mm



For additional details, please contact us at sales@cloosna.com or 847.923.9988.

SLS-1008 ExpertArc DA-250



CLOOS NORTH AMERICA
cloosna.com | 847.923.9988

WORTH DOING RIGHT

