

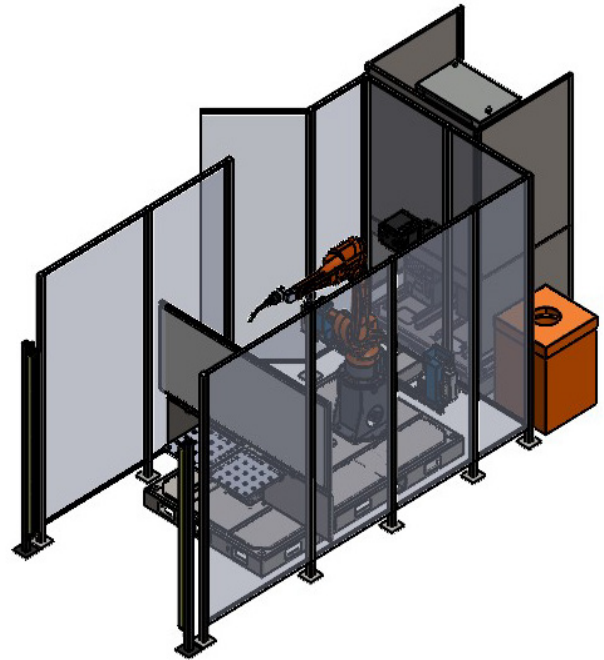
ExpertArc ST-250

Simple. Stable. Ready to Weld.

The ExpertArc ST-250 is a stationary table welding cell built for small, hand-loaded parts. With 250 lb capacity per station and a fixed worktable design, it keeps automation straightforward to manage.

Designed for repeatable production, the ST-250 delivers consistent weld quality without added axes or mechanical complexity. It's compact, pre-configured, and simple to run, giving job shops a practical, low-risk step into robotic welding.

Welding automation is worth doing right.



SMART FEATURES. PROVEN BENEFITS.

> **Compact footprint**

Fits into tight shop floors and smaller production cells.

> **Simple to run**

Your team doesn't need to be robot programmers. Operators can run it with minimal training.

> **Fast to deploy**

Pre-configured, pre-tested, and ready to weld. You're up and running in days, not months.

> **Consistent, high-quality welds**

Clean, repeatable results every time. No guesswork. No surprises.

> **Less downtime**

Easier part loading, simpler programming, and fewer headaches in production.

> **Stable part positioning**

Stationary worktable and hollow wrist robot keep torch access clean and parts consistently located.

> **German engineered. American built.**

Precision and reliability, backed by decades of CLOOS welding expertise.

INDUSTRIES

General Industries & Job Shops

Construction & Heavy Equipment OEM's

Agricultural Equipment

Truck & Trailer Manufacturers

PRODUCT SPECIFICATIONS

SYSTEM INCLUDES

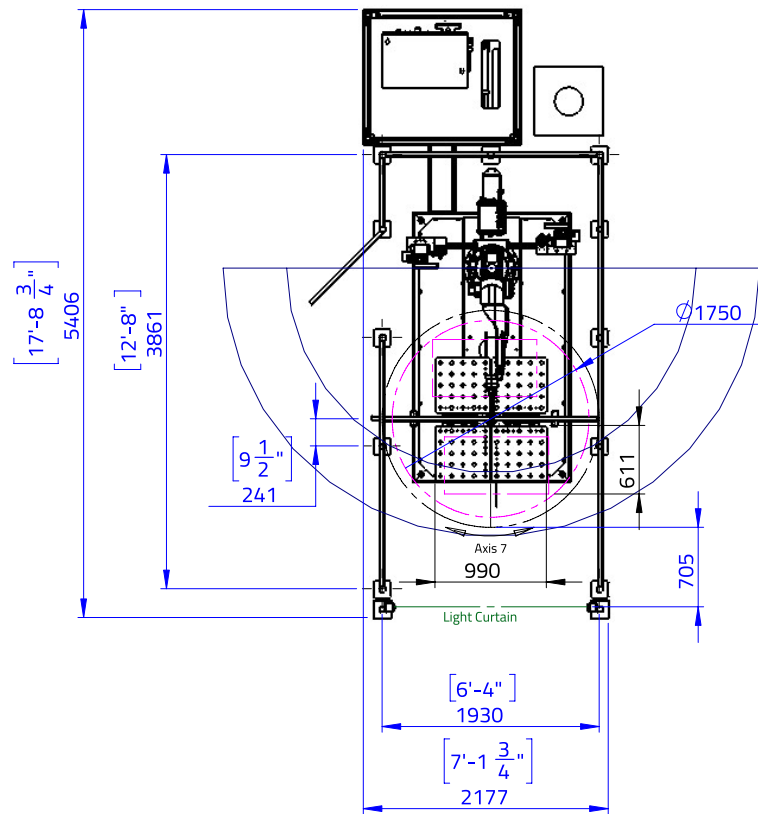
- > QRH-280 QIROX Hollow Wrist Robot
- > QRC 4.2 Robot Controller
- > StarT 406 Welding Power Source
- > Indexing Dual Station Positioner
- > Seam Tracking
- > Touch Sensing

OPTIONS AVAILABLE

- > Upgraded Power Source
- > Aluminum Package with Push/ Pull Torch
- > iCSE Offline Laser Sensor
- > Fume Extraction Options
- > RoboPlan Offline Programming Software
- > C-Gate Cloud Based DMS
- > CLOOS Cares Service Program
- > HMI Operator Panel
- > Part Tooling

MAXIMUM PART SIZE

Weight	250 lbs	113 kg
Length	48 in	1,220 mm
Diameter	24 in	610 mm
Height	19 in	480 mm



For additional details, please contact us at sales@cloosna.com or 847.923.9988.

SLS-1007 ExpertArc ST-250



CLOOS NORTH AMERICA
cloosna.com | 847.923.9988

WORTH DOING RIGHT

