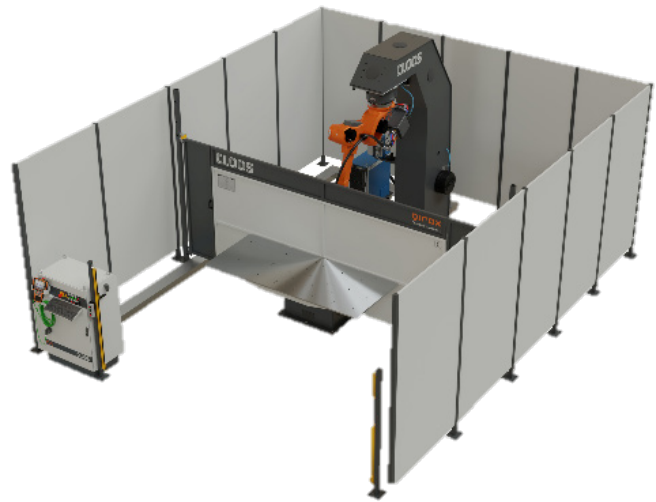


ExpertArc Series 2200 - Dual Station

Simple. Stable. Ready to Weld

The ExpertArc ST-2200 gives manufacturers a dependable way to automate welding for the largest and heaviest parts. With a stationary worktable and overhead-mounted robot, it provides a stable platform for large fixtured weldments while maintaining clear access to the work area.

Built for repeatability and uptime, the ST-2200 delivers consistent weld quality in high-capacity fabrication. It's simple to run, ready to go, and built to make automation worth it.



Welding automation is worth doing right.

SMART FEATURES. PROVEN BENEFITS.

> **Compact footprint**

Fits into tight shop floors and smaller production cells.

> **Simple to run**

Your team doesn't need to be robot programmers. Operators can run it with minimal training.

> **Fast to deploy**

Pre-configured, pre-tested, and ready to weld. You're up and running in days, not months.

> **Consistent, high-quality welds**

Clean, repeatable results every time. No guesswork. No surprises.

> **Less downtime**

Easier part loading, simpler programming, and fewer headaches in production.

> **Stable part positioning**

Stationary worktable keeps fixtures secure and parts consistently located through every weld cycle.

> **German engineered. American built.**

Precision and reliability, backed by decades of CLOOS welding expertise.

INDUSTRIES

General Industries & Job Shops

Construction & Heavy Equipment OEM's

Agricultural Equipment

Truck & Trailer Manufacturers

PRODUCT SPECIFICATIONS

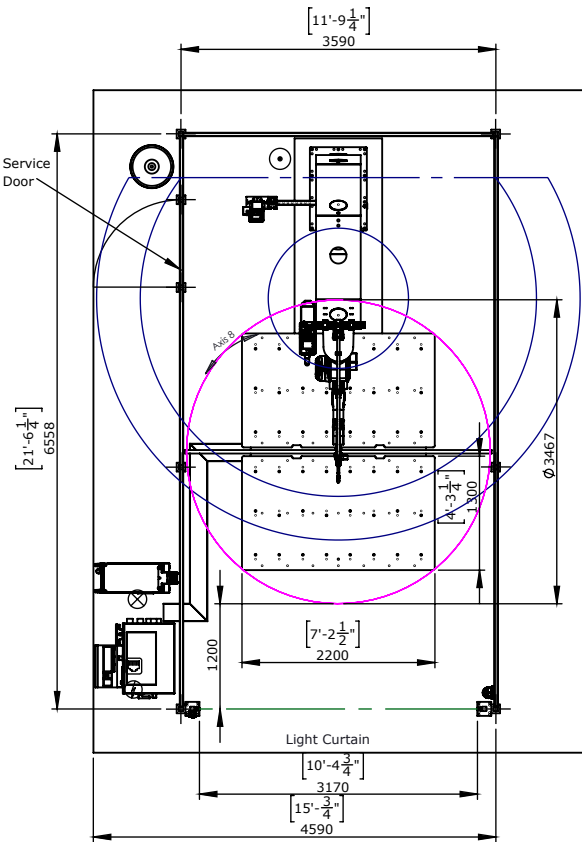
SYSTEM INCLUDES

- > QRC-350e QIROX 7 Axis Robot
- > QRC 4.2 Robot Controller
- > StarT 406 Welding Power Supply
- > Indexing Dual Station Positioner
- > Seam Tracking
- > Touch Sensing

OPTIONS AVAILABLE

- > Upgraded Power Supply
- > Aluminum Package with Push/ Pull Torch
- > iCSE Offline Laser Sensor
- > Fume Extraction Options
- > RoboPlan Offline Programming Software
- > C-Gate Cloud Based DMS
- > CLOOS Cares Service Program
- > HMI Operator Panel
- > Part Tooling

MAXIMUM PART SIZE		
Weight	2200 lbs	998 kg
Length	86 in	2,180 mm
Diameter	51 in	1,300 mm
Height	39 in	990 mm



For additional details, please contact us at sales@cloosna.com or 847.923.9988.

SLS-10/13 ExpertArc ST-2200



CLOOS NORTH AMERICA
cloosna.com | 847.923.9988

WORTH DOING RIGHT

