

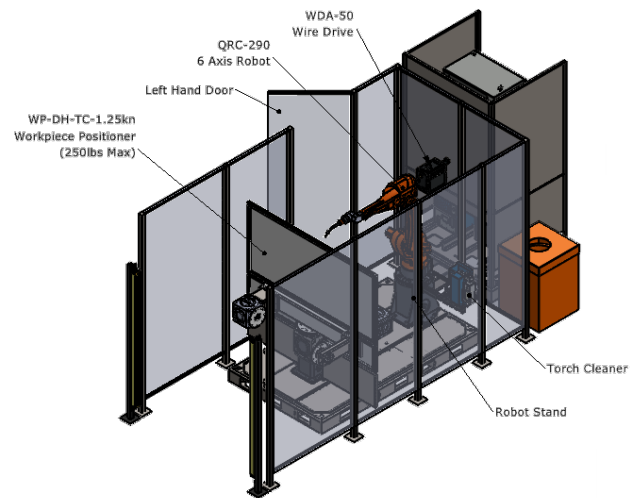
ExpertArc Series 250 - Dual Station

Controlled Rotation. Smarter Welding.

The ExpertArc HS-250 is a headstock welding cell designed for smaller parts that benefit from controlled rotation. With 250 lb capacity per station and a single-axis positioner, it improves weld access without adding unnecessary complexity.

Pre-configured and easy to operate, the HS-250 gives job shops a practical first step into automation. It delivers consistent weld quality, better part positioning, and dependable performance, all in a compact footprint built for real production environments.

Welding automation is worth doing right.



SMART FEATURES. PROVEN BENEFITS.

> Compact footprint

Fits into tight shop floors and high-mix production cells.

> Simple to run

Your team doesn't need to be robot programmers. Operators can run it with minimal training.

> Fast to deploy

Pre-configured, pre-tested, and ready to weld. You're up and running in days, not months.

> Controlled part rotation

Servo-driven headstock positioner and a hollow wrist robot improve weld access and reduce manual repositioning.

> Consistent, high-quality welds

Clean, repeatable results every time. No guesswork. No surprises.

> Less downtime

Easier part loading, simpler programming, and fewer headaches in production.

> German engineered. American built.

Precision and reliability, backed by decades of CLOOS welding expertise.

INDUSTRIES

General Industries & Job Shops

Construction & Heavy Equipment OEM's
Agricultural Equipment

Truck & Trailer Manufacturers

PRODUCT SPECIFICATIONS

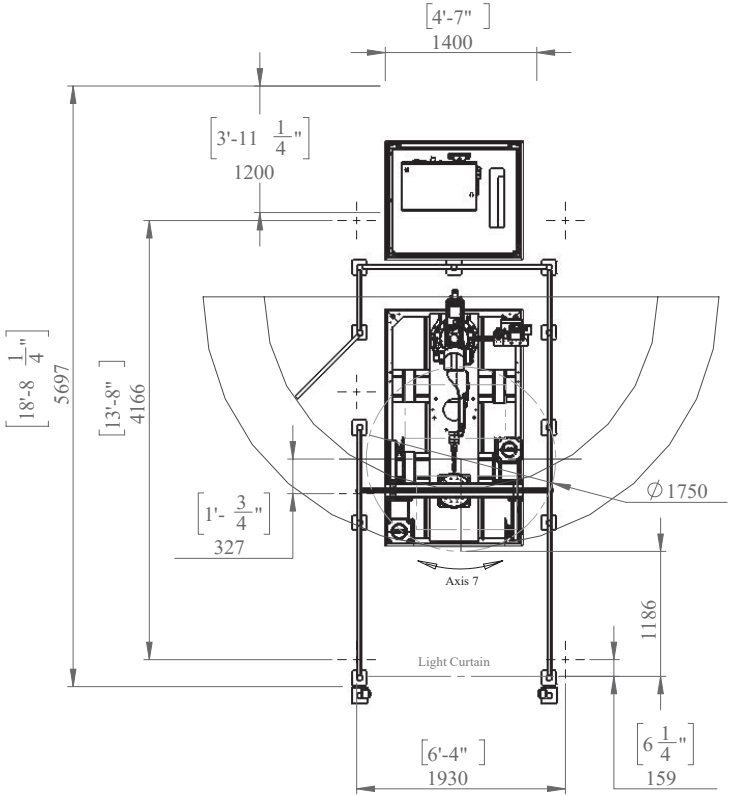
SYSTEM INCLUDES

- > QRH-280 QIROX Hollow Wrist Robot
- > QRC 4.2 Robot Controller
- > StarT 406 Welding Power Supply
- > Indexing Dual Station Positioner
- > Seam Tracking
- > Touch Sensing

OPTIONS AVAILABLE

- > Upgraded Power Supply
- > Aluminum Package with Push/ Pull Torch
- > iCSE Offline Laser Sensor
- > Fume Extraction Options
- > RoboPlan Offline Programming Software
- > C-Gate Cloud Based DMS
- > CLOOS Cares Service Program
- > HMI Operator Panel
- > Part Tooling
- > Manax (Manual Jog)

MAXIMUM PART SIZE		
Weight	250 lbs	113 kg
Length	36 in	915 mm
Diameter	20 in	505 mm



For additional details, please contact us at sales@cloosna.com or 847.923.9988.

SLS-1006 ExpertArc HS-250



CLOOS NORTH AMERICA
cloosna.com | 847.923.9988

WORTH DOING RIGHT

